

Usborne Woodgrain Spinner Display Assembly Instructions



Agreement and Disclaimer

PLEASE READ THIS AGREEMENT AND DISCLAIMER ("AGREEMENT") CAREFULLY BEFORE ASSEMBLING OR USING THE USBORNE SPINNING BOOK DISPLAY STAND ("DISPLAY"). BY ASSEMBLING OR USING THE DISPLAY, YOU ARE AGREEING TO BE BOUND BY THE TERMS OF THIS AGREEMENT. IF YOU DO NOT AGREE TO THE TERMS OF THIS AGREEMENT, DO NOT ASSEMBLE OR USE THE DISPLAY. ASSEMBLING OR USING THE DISPLAY IN ANY WAY INDICATES THAT YOU ACCEPT THESE TERMS.

LICENSE TO USE DISPLAY

Usborne Publishing Limited ("Usborne") provides the Display accompanying this Agreement gratuitously, for you to use to display Usborne books, subject to the terms of this Agreement. Usborne retains title to the Display.

PERMITTED USES AND RESTRICTIONS

This Agreement allows you to assemble and use the Display solely for purposes of displaying Usborne books for retail sale. This Agreement does not allow you to use the Display to display books that are not published by Usborne, unless otherwise agreed in writing. You shall not remove any of Usborne's trademarks or other markings or notices that appear on the Display. You may transfer your rights under this Agreement provided you transfer the Display and this Agreement to a party who agrees to accept the terms of this Agreement. Your rights under this Agreement will terminate automatically without notice if you fail to comply with any term(s) of this Agreement.

ASSEMBLY OF THE DISPLAY

YOU ARE SOLELY RESPONSIBLE FOR ASSEMBLING THE DISPLAY PROPERLY, IN ACCORDANCE WITH THE INSTRUCTIONS PROVIDED WITH THE DISPLAY. YOU HEREBY AGREE TO DEFEND, INDEMNIFY, AND HOLD HARMLESS USBORNE, ITS SUPPLIERS AND DISTRIBUTORS, AND THEIR RESPECTIVE DIRECTORS, OFFICERS, EMPLOYEES, SHAREHOLDERS, NAD PRINCIPALS FROM AND AGAINST ANY AND ALL LOSS, INJURY, DEATH, DAMAGE, LIABILITY, CLAIM, ACTION, JUDGMENT, PENALTY, FINE, COST, OR EXPENSE, INCLUDING REASONABLE ATTORNEYS' FEES ("LOSSES") ARISING OUT OF OR RELATING TO YOUR ASSEMBLY OR USE OF THE DISPLAY.

DISCLAIMER OF WARRANTY

YOU EXPRESSLY ACKNOWLEDGE AND AGREE THAT USE OF THE DISPLAY IS AT YOUR SOLE RISK. THE DISPLAY IS PROVIDED "AS IS" AND WITHOUT WARRANTY OF ANY KIND. USBORNE AND ITS SUPPLIERS AND DISTRIBUTORS EXPRESSLY DISCLAIM ALL WARRANTIES AND/OR CONDITIONS, EXPRESS OR IMPLIED,

INCLUDING, BUT NOT LIMITED TO THE IMPLIED WARRANTIES AND/OR CONDITIONS OF TITLE, NON-INFRINGEMENT OF THIRD-PARTY RIGHTS, MERCHANTABILITY OR SATISFACTORY QUALITY AND FITNESS FOR A PARTICULAR PURPOSE. USBORNE DOES NOT WARRANT THAT THE DISPLAY WILL MEET YOUR REQUIREMENTS. SHOULD THE DISPLAY PROVE DEFECTIVE, YOU (AND NOT USBORNE OR ANY AUTHORIZED REPRESENTATIVE) ASSUME THE ENTIRE COST OF ALL NECESSARY SERVICING OR REPAIR.

LIMITATION OF LIABILITY

REGARDLESS OF WHETHER ANY REMEDY SET FORTH HEREIN FAILS OF ITS ESSENTIAL PURPOSE OR OTHERWISE, TO THE FULLEST EXTENT PERMITTED BY LAW, USBORNE, AND ITS SUPPLIERS AND DISTRIBUTORS, WILL NOT BE LIABLE FOR ANY DIRECT, INDIRECT, EXEMPLARY, SPECIAL, CONSEQUENTIAL, OR INCIDENTAL DAMAGES OF ANY CHARACTER ARISING IN ANY WAY OUT OF THIS AGREEMENT OR THE USE OF (OR INABILITY TO USE) THE DISPLAY HOWEVER CAUSED AND WHETHER ARISING UNDER A THEORY OF CONTRACT, TORT OR ANY OTHER LEGAL THEORY, EVEN IF USBORNE OR ITS SUPPLIERS OR DISTRIBUTORS OR WAS ADVISED OF THE POSSIBILITY OF SUCH DAMAGES. IF, NOTWITHSTANDING THE FOREGOING EXCLUSION OF LIABILITY, USBORNE IS DETERMINED TO BE SUBJECT TO LIABILITY, THEN USBORNE'S LIABILITY SHALL NOT EXCEED TEN U.S. DOLLARS (US\$10).

CONTROLLING LAW AND ARBITRATION

This Agreement shall be governed by the laws of the State of New York, except for its conflicts of laws principles.

ANY AND ALL DISPUTES ARISING OUT OF OR RELATING TO THIS AGREEMENT OR THE ASSEMBLY OR USE OF THE DISPLAY SHALL BE RESOLVED EXCLUSIVELY THROUGH ARBITRATION BEFORE A SINGLE ARBITRATOR. THE ARBITRATION SHALL BE ADMINISTERED BY THE AMERICAN ARBITRATION ASSOCIATION IN ACCORDANCE WITH ITS COMMERCIAL RULES AND SHALL BE HELD EXCLUSIVELY IN NEW YORK COUNTY, NEW YORK. ALL ISSUES, INCLUDING THE ARBITRABILITY OF A DISPUTE, ARE FOR THE ARBITRATOR TO DECIDE. THE ARBITRATOR MAY DETERMINE HOW THE COSTS AND EXPENSES OF THE ARBITRATION SHALL BE ALLOCATED BETWEEN THE PARTIES, BUT THEY SHALL NOT AWARD ATTORNEY FEES, AND THEY SHALL NOT HAVE THE POWER TO AWARD PUNITIVE, SPECIAL, OR EXEMPLARY DAMAGES. THE AWARD OF THE ARBITRATOR SHALL BE FINAL AND BINDING, AND JUDGMENT ON THE AWARD MAY BE ENTERED IN ANY COURT HAVING JURISDICTION.

SEVERABILITY

If for any reason a court of competent jurisdiction finds any provision, or portion thereof, to be unenforceable, the remainder of this Agreement shall continue in full force and effect.

COMPLETE AGREEMENT

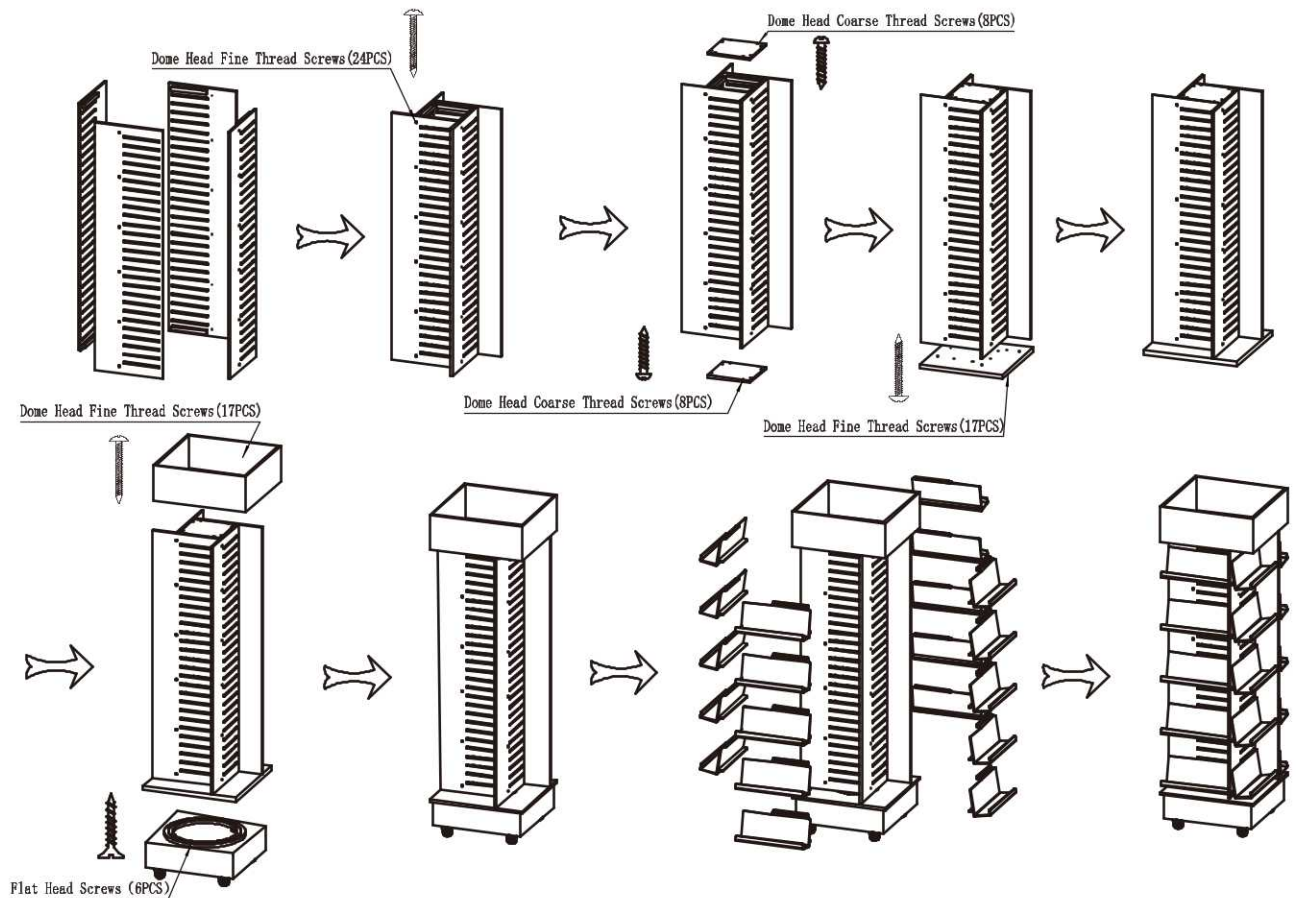
This Agreement constitutes the entire agreement between the parties with respect to the use of the Display and supersedes all prior or contemporaneous understandings regarding such subject matter. No amendment to or modification of this Agreement will be binding unless in writing and signed by an authorized representative of Usborne.



Scan the QR code for further information, including a step-by-step instruction video.

For all inquiries relating to the spinner, please contact usborne@harpercollins.com.

Overview:



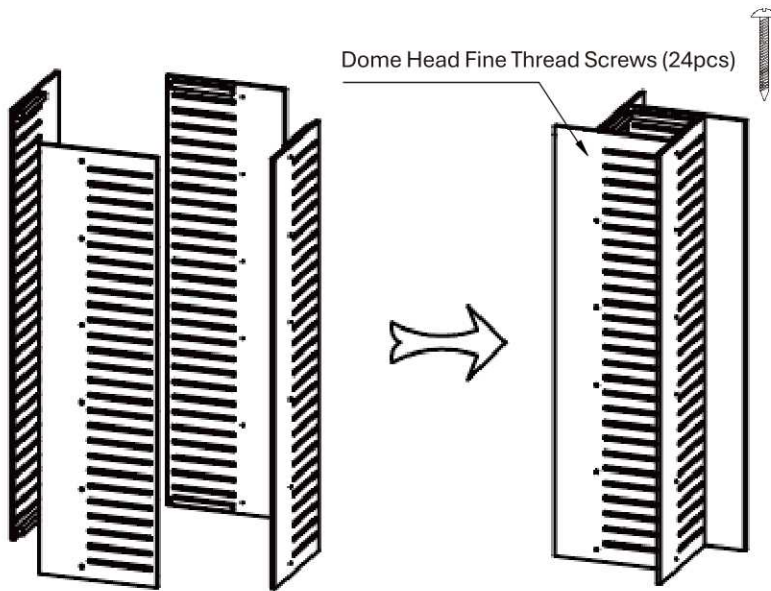
Display Contents:

- (4) Side Panels
- (2) Inner Baseplates – (1) Top and (1) Bottom
- (1) Large Bottom Baseplate
- (1) Bottom Rolling Base
- (1) Top Header
- (20) Clear Shelves
- (16) Dome Head Coarse Thread Screws
- (58) Dome Head Fine Thread Screws
- (6) Flat Head Screws

Additional Tools Recommended:

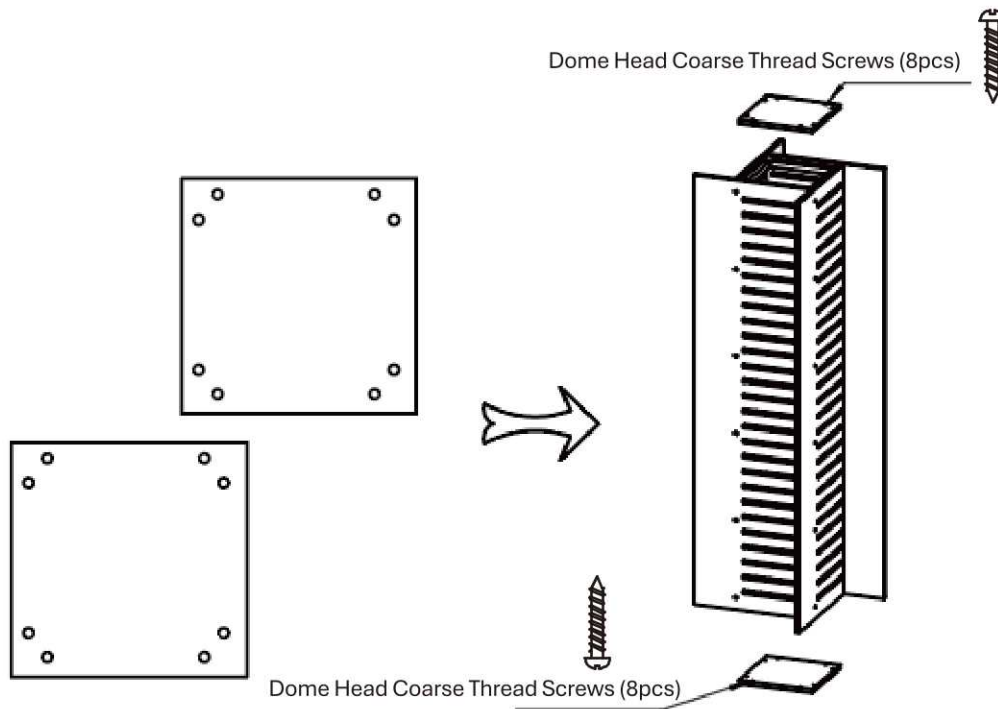
- An extra set of hands and/or something to initially prop the side panels up against
- Stepladder
- Power Drill with Phillips drill bit (configured to its lowest setting)
- Phillips screwdriver
- Flashlight

Step 1: Side Panels



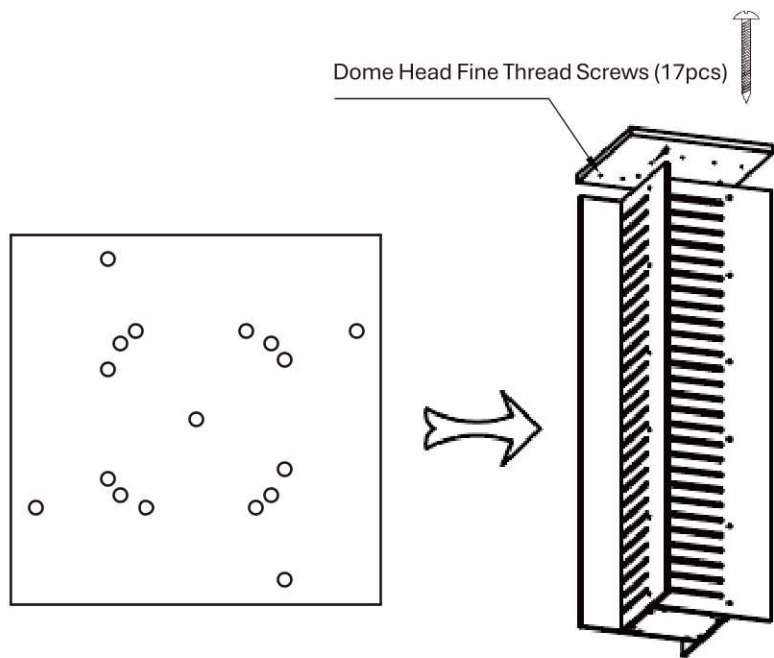
- Stand 2 side panels upright (2 people recommended) and make sure that each pilot hole is aligned before using either a power drill with a Phillips drill bit configured to its lowest setting (recommended) or Phillips screwdriver to screw in (6) Dome Head Fine Thread Screws.
- Repeat this for the 3rd and 4th panel (1 at a time), finishing up by screwing together the 1st and 4th panels together.

Step 2: Inner Baseplates (Top & Bottom)



- While standing on a stepladder (recommended), place an inner baseplate inside of the recessed area at the top of the side panels.
- Align pilot holes before screwing in (8) Dome Head Coarse Thread Screws through the baseplate and into the top of the side panels to secure in place.
- Carefully flip the display upside down (2 people recommended) so that the bottom of the display is now at the top, then affix 2nd inner baseplate into that recessed area using (8) Dome Head Coarse Thread Screws.

Step 3: Large Bottom Baseplate

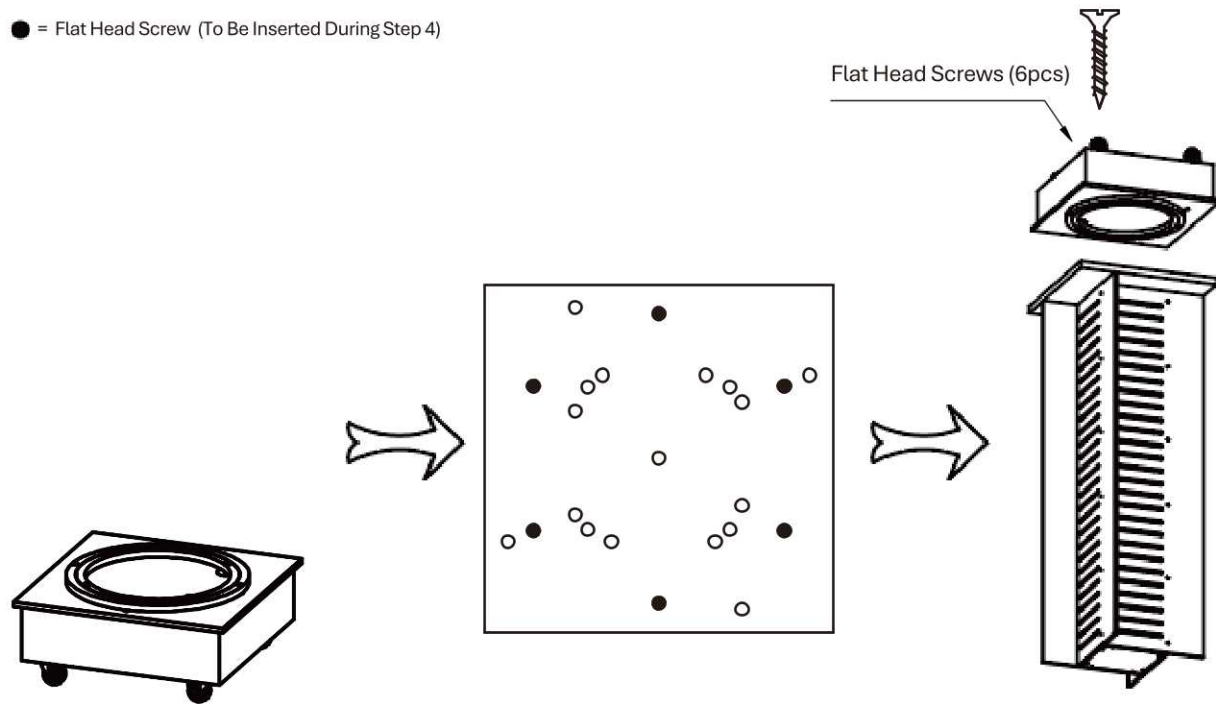


- Align large bottom baseplate pilot holes with the pilot holes on the side panels and inner baseplate and screw into place using (17) Dome Head Fine Thread Screws.

Step 4: Bottom Rolling Base

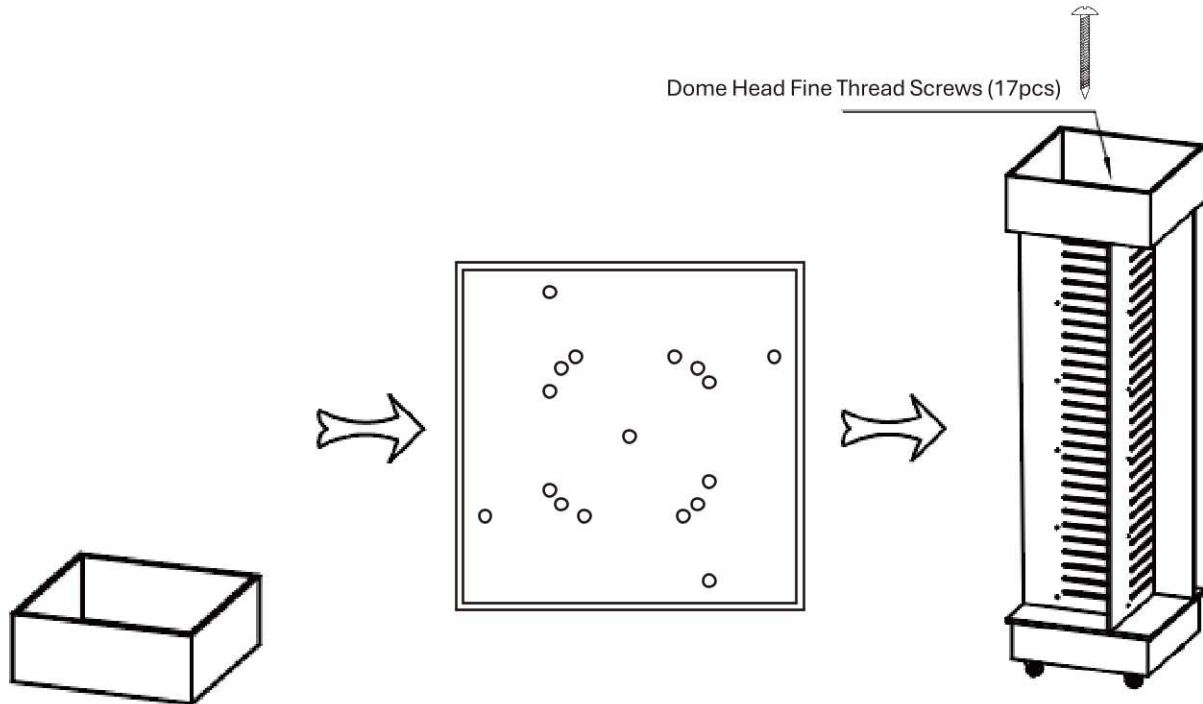
○ = Dome Head Fine Thread Screw (Completed in Step 3)

● = Flat Head Screw (To Be Inserted During Step 4)



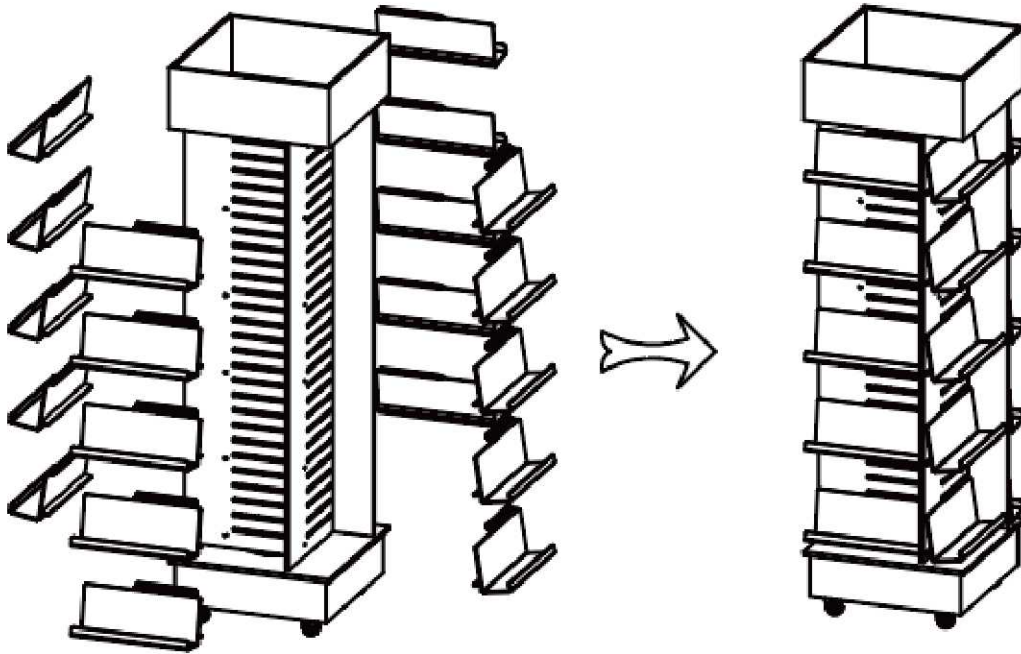
- Align pilot holes on the top of the bottom rolling base with the remaining open pilot holes on the large bottom baseplate and screw into place using (6) Flat Head Screws (the screwdriver instead of the drill is recommended for this step).

Step 5: Top Header



- Carefully flip the display back to right side up (2 people recommended), so that the wheels are now on the ground.
- Align pilot holes on the header with the top of the side panels and inner baseplate and screw into place using (17) Dome Head Fine Thread Screws.

Step 6: Shelves



- You may now add any or all (20) shelves in whatever configuration you wish along the slots of each side panel.
- Congratulations; assembly is complete and you're all set with your Usborne Woodgrain Spinner Display!